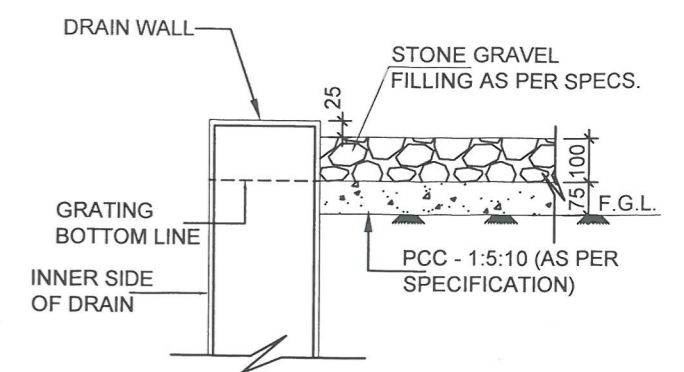
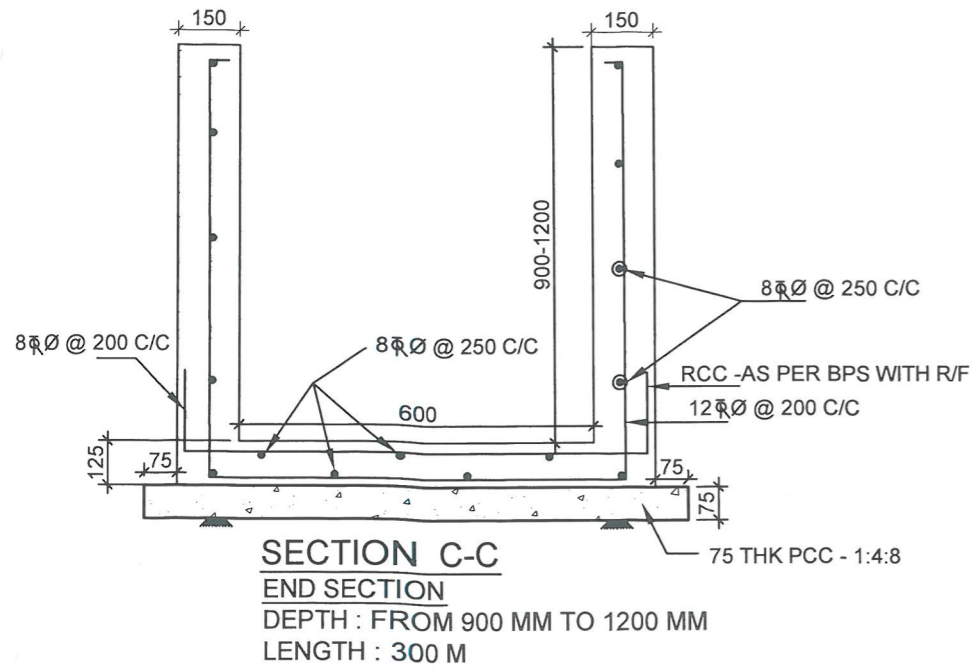


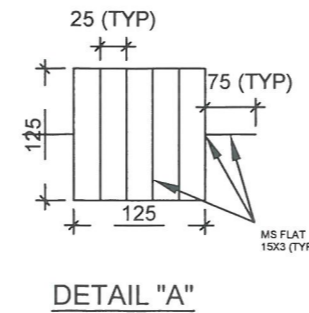
TYP. SECTION OF DRAIN EDGE TOWARDS EARTHEN SIDE



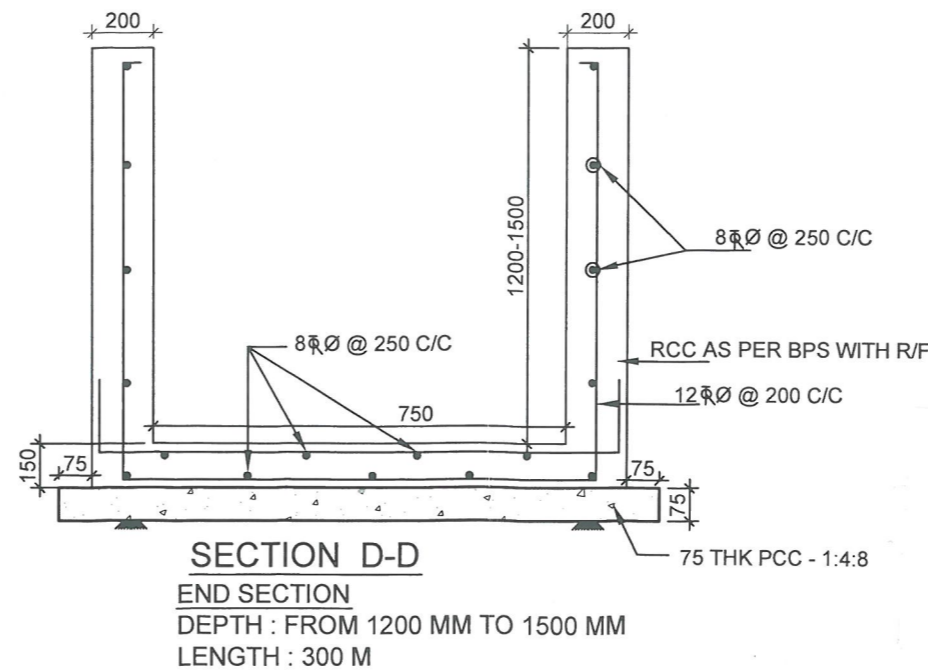
TYP. SECTION OF DRAIN EDGE TOWARDS SWITCHYARDS AREA



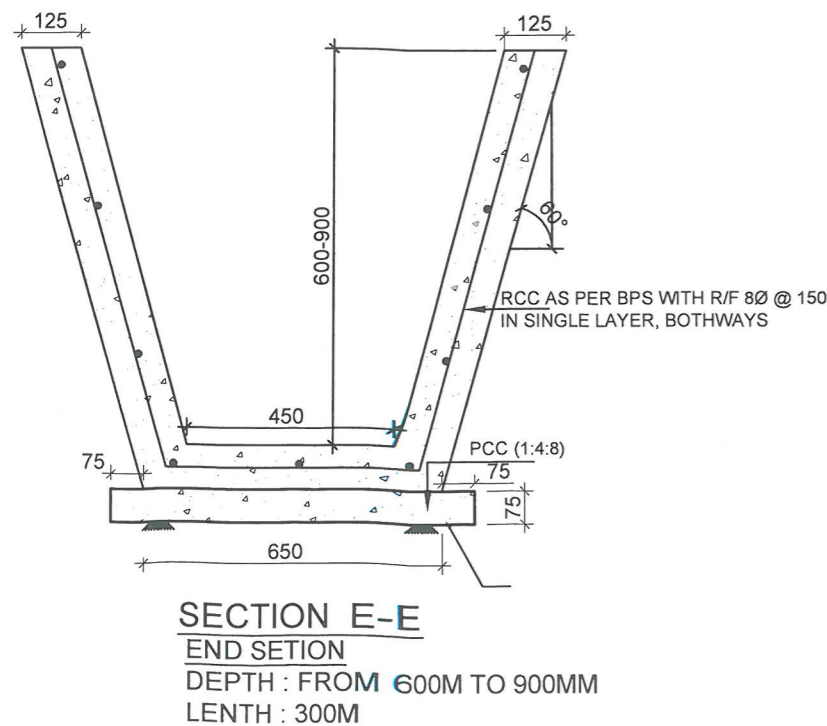
SECTION C-C
END SECTION
DEPTH : FROM 900 MM TO 1200 MM
LENGTH : 300 M



DETAIL "A"



SECTION D-D
END SECTION
DEPTH : FROM 1200 MM TO 1500 MM
LENGTH : 300 M



SECTION E-E
END SECTION
DEPTH : FROM 600MM TO 900MM
LENTH : 300M

NOTES:-

1. ALL DIMENSIONS ARE IN MM. & ELEVATIONS ARE IN METRE UNLESS NOTED OTHERWISE.
2. ALL DRAINS SHALL BE GIVEN A MINIMUM SLOPE OF 1:1000 IN THE LONGITUDINAL DIRECTION
3. ALL REINFORCEMENT SHALL BE AS PER BPS.
4. MINIMUM DEPTH OF DRAIN SHALL BE 300MM BELOW FGL.
5. WHERE EVER TWO SECTIONS ARE MEETING A TRANSITION ZONE SHALL BE CONSTRUCTED HAVING LENGTH 1000mm.
6. 75X75mm WEEP HOLE SHALL BE PROVIDED AT SPACING OF 1500mm HORIZONTALLY & 300mm VERTICALLY IN STAGGERED MANNER. HOWEVER 75MMDIA PVC PIPE WEEP HOLE SHALL BE PROVIDED IN CASE OF RCC DRAIN.
7. DEPTH OFF DRAIN IS TAKEN AS HEIGHT FROM TOP OF DRAIN TO INVERT OF DRAIN
8. LAYOUT OF DRAIN WILL BE ISSUED DURING DETAILED ENGINEERING.
9. IF EXPANSIVE SOIL IS ENCOUNTERED AT FOUNDING LVL. IT SHALL BE REMOVED TO AMIN. DEPTH OF 300 MM. AND SHALL BE REPLACED BY WELL COMPACTED (IN 03 EQ. LAYERS) LOCALLY AVAILABLE C.N.S. MATERIAL /SAND.
10. WHEREEVER DRAINS ARE COMING IN THE SIDE OF SWITCHYARD / TOWNSHIP ROAD, PROPER COMPACTION BETWEEN EDGE OF ROAD AND DRAIN SHOULD BE ENSURED
11. 20MM WIDE EXPANSION JOINT SHALL BE PROVIDED IN RCC DRAIN @ 45M C/C. THE JOINT SHALL BE FILLED WITH 1:4 CEMENT SAND MORTAR.

APPROVED BY ED (ENGG.TL-SS-CML) VID:
NOTE REFERENCE NO. C/ENGG/STD.DRG.
/Civil Works/03/2016 DTD. 20.12.2016

RELEASED FOR TENDER/CONSTRUCTION.

REV.	DESCRIPTION	PREP. JE(ENGG-CIVIL)	REVD. ACDE(ENGG-CIVIL)	REVD. CDE (ENGG-CIVIL)	REVD. ASTT.GM(ENGG-CIVIL)	REVD. AGM (ENGG-CIVIL)	APPD. GM (ENGG-CIVIL)	DATE
0.	REVISED AS MARKED							

POWER GRID CORPORATION OF INDIA LIMITED
(A Government of India Enterprise)

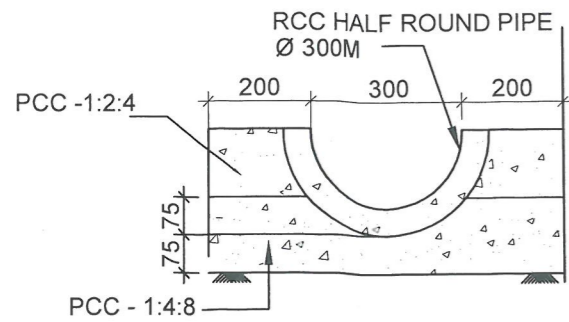
TITLE: STANDARD DRAIN

SUB TITLE: DETAILS OF DRAIN

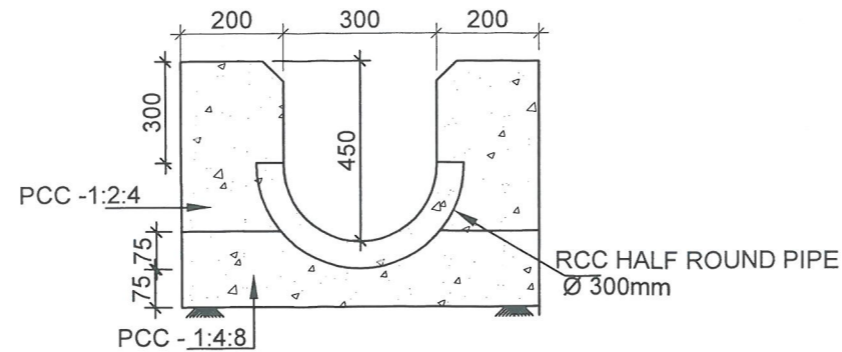
DRAWING NO: C/ENGG/STD/RAIN/2016 (SHEET 01 OF 02)

SCALE: NTS

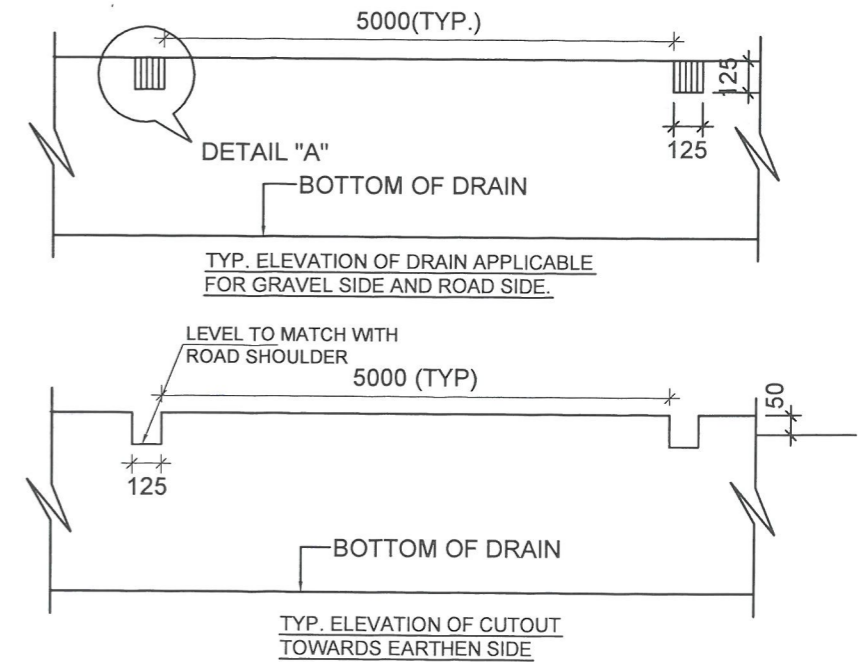
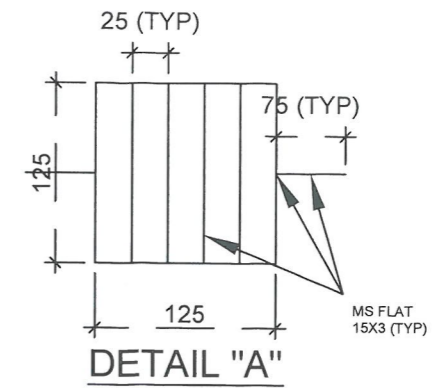
REV: 0



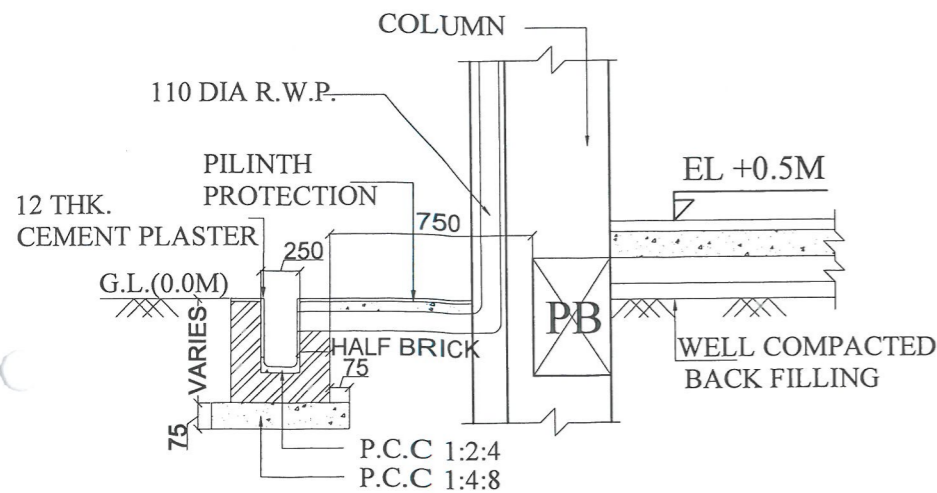
(TO BE USED AT BEGINING 150MM DEPTH)



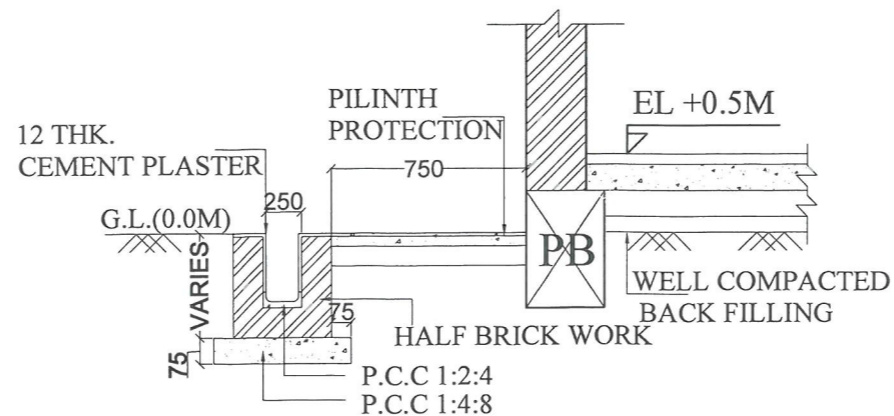
(TO BE USED 150 TO 450 MM DEPTH)



SECTION F-F



PLINTH PROTECTION DRAIN WITH RAIN WATER PIPE
APPLICABLE FOR ALL BUILDING (REFER TS MEASUREMENT CLAUSE)



PLINTH PROTECTION DRAIN (GENERAL)
APPLICABLE FOR ALL BUILDING (REFER TS MEASUREMENT CLAUSE)

APPROVED BY ED (ENGG.TL-SS-CML) VIDE
NOTE REFERENCE NO. C/ENGG/STD.DRG.
/Civil Works/03/2016 DTD 20.12.2016

RELEASED FOR TENDER/CONSTRUCTION.

POWER GRID CORPORATION
OF INDIA LIMITED
(A Government of India Enterprise)



TITLE:
STANDARD DRAIN

SUB TITLE:
DETAILS OF DRAIN

DRAWING NO:
C/ENGG/STD/DRAIN/2016
(SHEET 02 OF 02)

0.	REVISED AS MARKED									
REV.	DESCRIPTION	PREP. JE(ENGG-CIVIL)	REVD. ACDE(ENGG-CIVIL)	REVD. CDE (ENGG-CIVIL)	REVD. ASST.GM(ENGG-CIVIL)	REVD. AGM (ENGG-CIVIL)	APPD. GM (ENGG-CIVIL)	DATE	SCALE NTS	REV 0